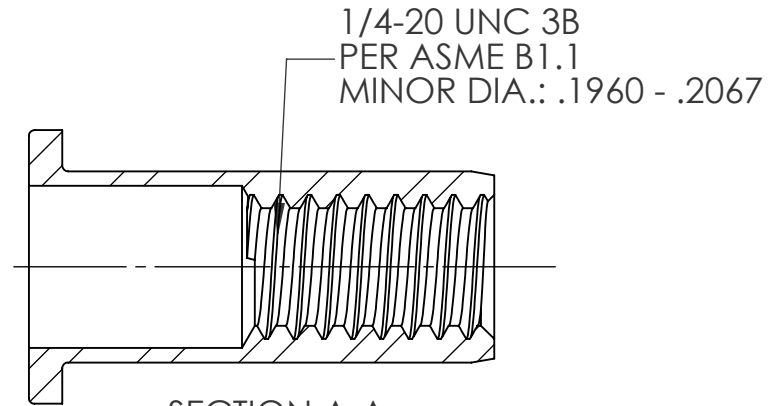
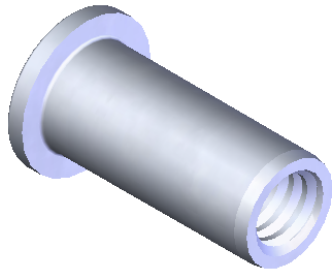
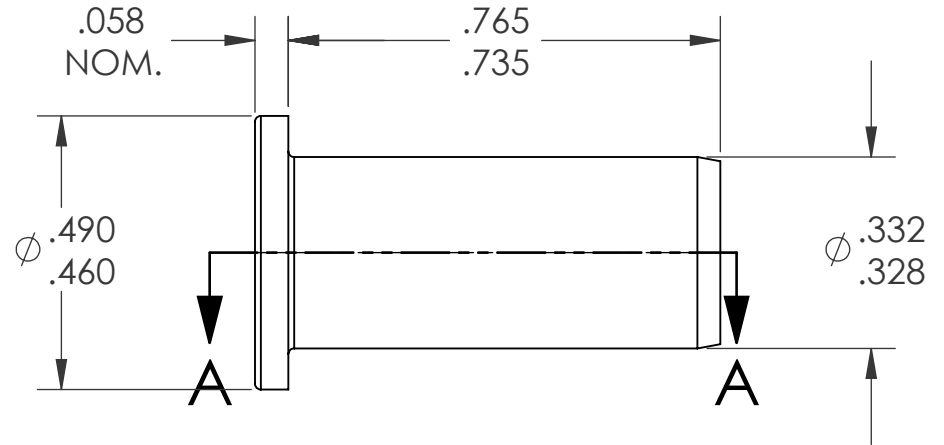
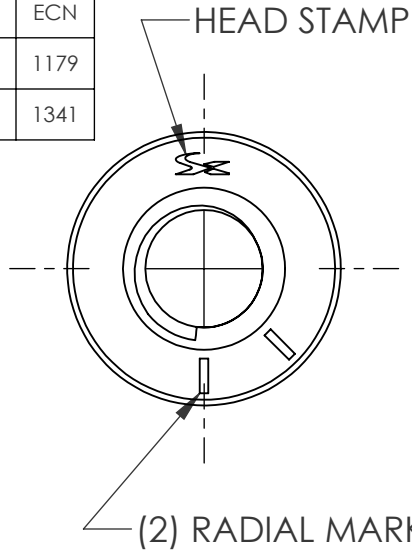


| REVISIONS | | | |
|-----------|--------------------------|---------|------|
| REV. | DESCRIPTION | DATE | ECN |
| A | INITIAL RELEASE | 5/8/09 | 1179 |
| B | UPDATE TO CURRENT FORMAT | 7/28/10 | 1341 |



SECTION A-A
SCALE 3 : 1

NOTE:

- GRIP RANGE: .140 - .200
- HOLE SIZE: .332 +.006/- .000 AFTER ALL APPLIED FINISHES.
- INSTALLED LENGTH: .450 REF.
- LUBRICATION: NONE
- INSTALLATION TOOL: SPIN-PULL

PROPRIETARY AND CONFIDENTIAL

THIS DRAWING, AND THE INFORMATION CONTAINED HEREIN, ARE THE PROPERTY OF SHEREX AND ARE NOT TO BE USED IN ANY MANNER DETRIMENTAL TO THE INTEREST OF THE COMPANY.
SHEREX SOLUTIONS RESERVES THE RIGHT TO REVISE PART/DRAWING WITHOUT NOTICE.

| | | | | | | |
|-----------|---------|--|---|------------|------------|---|
| | | UNLESS OTHERWISE SPECIFIED: | | NAME | DATE |  |
| | | DIMENSIONS ARE IN INCHES TOLERANCES: ANGULAR: MACH ± 1 BEND ± 1 TWO PLACE DECIMAL ± .01 THREE PLACE DECIMAL ± .002 | DRAWN | TWR | 5/8/09 | |
| | | INTERPRET GEOMETRIC TOLERANCING PER: ASME Y14.5M-1994 | CHECKED | | | |
| | | MATERIAL | ENG APPR. | JVK | 5/8/09 | |
| | | 430 STAINLESS | MFG APPR. | | | |
| | | FINISH | Q.A. | JVK | 5/8/09 | TITLE: |
| | | PASSIVATE | COMMENTS: | | | FLAT HEAD OPEN END |
| NEXT ASSY | USED ON | | E-mail: info@sherex.com www.sherex.com Phone: 866-474-3739 Fax: 716-875-0358 | | | SIZE DWG. NO. |
| | | APPLICATION | | | | A CA-2520SS-200 |
| | | DO NOT SCALE DRAWING | | | | REV |
| | | | | | | B |
| | | | | SCALE: 2:1 | WEIGHT: kg | SHEET 1 OF 1 |